



Semi-electric Stacker CTD Series (Single mast)

- Ideal for loading and unloading trucks, positioning dies, or feeding material to presses.
 - Compact design and top quality mast construction.
 - Safety guard on load roller and steering wheel.
 - Light and easy manual steering system.
 - Remote control, three light LED charge status indicator, and easy to read illuminated battery status voltmeter included.
 - Equipped with safety screen and floor lock.
 - With a minimally charged battery, unit can be used even while plugged in and recharging.
- ★ Fixed fork is available.

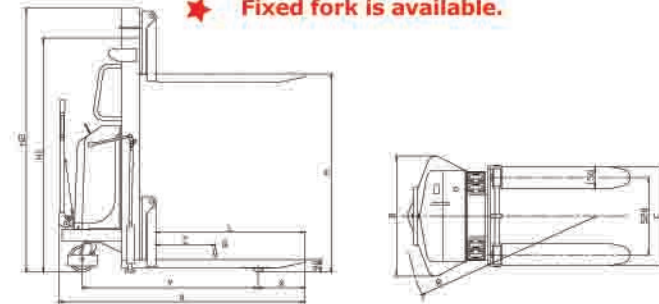
IKG=2.2LB 1INCH=25.4MM

Model		CTD1000-16	CTD1500-16	CTD2000-16
Rated Capacity	Q kg	1000	1500	2000
Mast		Single Mast		
Lifting Height	H mm	1600	1600	1600
Fork Length	L mm	1000	1000	1000
Fork Width	E mm	300~680	300~680	300~680
Load Center	C mm	400	400	400
Min. Turning Radius	R mm	1350	1350	1350
Lifting Motor	V/Kw	12/1.5-1.6	12/1.5-1.6	12/1.5-1.6
Battery	V/Kh	12/120	12/120	12/120
Charger	V/Kh	12/15	12/15	12/15
Overall Length	A mm	1670	1670	1670
Overall Width	B mm	865	865	865
Overall Height	H1 mm	2060	2060	2060
Net Weight	kg	340	362	388



Semi-electric Stacker CTD Series (Duplex mast)

- An economical answer to a multitude of mobile lifting applications.
 - Compact design and top quality mast construction.
 - Safety guard on load roller and steering wheel.
 - Light and easy manual steering system.
- ★ Fixed fork is available.



IKG=2.2LB 1INCH=25.4MM

Model		CTD1000-20	CTD1000-25	CTD1000-30	CTD1000-35	CTD1500-20	CTD1500-25	CTD1500-30	CTD1500-35	CTD2000-20	
Rated Capacity	Q kg	1000	1000	1000	1000	1500	1500	1500	1500	2000	
Mast		2-stage Mast									
Lifting Height	H mm	2000	2500	3000	3500	2000	2500	3000	3500	2000	
Fork Length	L mm	1000	1000	1000	1000	1000	1000	1000	1000	1100	
Fork Width	E mm	310-820	310-820	310-820	310-820	310-820	310-820	310-820	310-820	330-640	
Load Center	C mm	400	400	400	400	400	400	400	400	400	
Min. Turning Radius	R mm	1350	1350	1450	1450	1350	1350	1450	1450	1280	
Lifting Motor	V/Kw	12/1.5-1.6	12/1.5-1.6	12/1.5-1.6	12/1.5-1.6	12/1.5-1.6	12/1.5-1.6	12/1.5-1.6	12/1.5-1.6	12/1.5-1.6	
Battery	V/Kh	12/120	12/120	12/120	12/120	12/150	12/150	12/150	12/150	12/150	
Charger	V/Kh	12/15	12/15	12/15	12/15	12/15	12/15	12/15	12/15	12/15	
Overall Length	A mm	1670	1670	1700	1700	1670	1670	1700	1700	1600	
Overall Width	B mm	810	810	930	930	810	810	930	930	710	
Overall Height	H1 mm	1580	1830	2080	2330	1580	1830	2080	2330	1580	
Net Weight	kg	424	446	468	490	448	470	492	515	380	

Semi-Electric Stacker CTDS & EQSD Series

- The very useful stacker allows you to save time and labor. can move and stack pallet loads in smaller areas and rooms.
- Compact design and reliable mast construction.
- Safety guard on load roller and steering wheel.
- Light and easy manual steering system.
- Conforms to EN1757-1:2001, EN1727.

IKG=2.2LB 1INCH=25.4MM

Model		CTDS1000-16	EQSD500C	EQSD1000C
Rated Capacity	kg	1000	500	1000
Lifting Height	mm	1600	1600	1600
Fork Length	mm	1000	790	830
Fork Width	mm	310-660	180-690	225-550
Load Center	mm	400	400	400
Min. Turning Radius	mm	1350	1150	1204
Lifting Motor	V/Kw	12/1.5	12/1.5	12/1.5
Battery	V/Kh	12/100	12/100	12/100
Charger	V/Kh	12V 50Hz	12V 50Hz	12V 50Hz
Overall Length	A mm	1500	1290	1290
Overall Width	B mm	850	878	1028
Overall Height	H1 mm	2000	2065	2070
Net Weight	kg	272	200	290

*Fix forks available



Semi-Electric Stacker TFBD Series

- Strong robust and classical design.
- With a wide-sized fork and gives a nice-looking figure.
- The fluent outline make differences from the traditional staker.
- With steel of high quality and insure enough stability and intensity.
- Easy to operate.
- Conforms to EN1757-1:2001, EN1727.

IKG=2.2LB 1INCH=25.4MM

Model		TFBD40-160	TFBD40-160W
Capacity	kg	400	400
Lowest Height	mm	90	90
Max. Height	mm	1600	1600
Forks Length *	mm	800	800
Forks Width *	mm	550	550
Overall Width	mm	1370	1570
Front Wheel	mm	Ø100	Ø100
Rear Wheel	mm	Ø152	Ø152
Net Weight	kg	200	220

* The forks can be changed to platform



Ø100,Ø150,Ø200,Ø250 wheels are option

